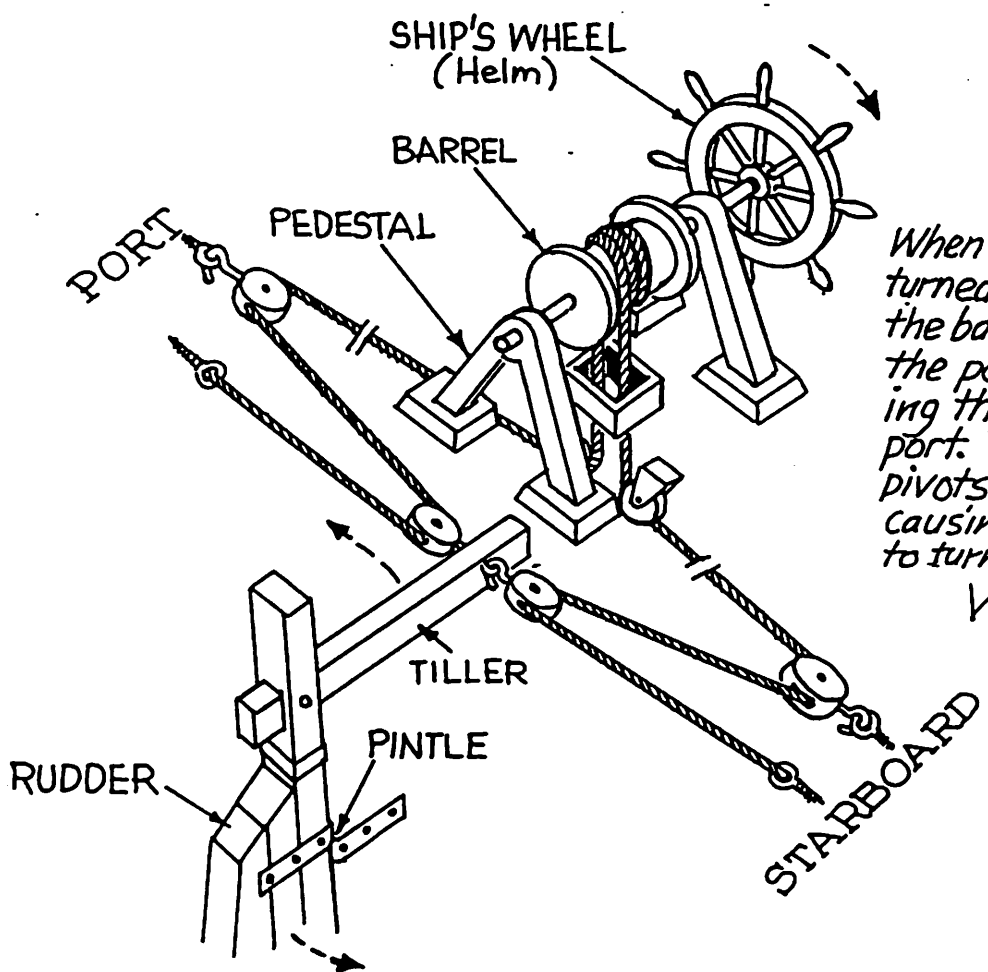


SHIPS WHEEL

3707



When the helm is turned to starboard the barrel shortens the port line, pulling the tiller to port. The rudder pivots at the pintle causing the rudder to turn to starboard. Voila!