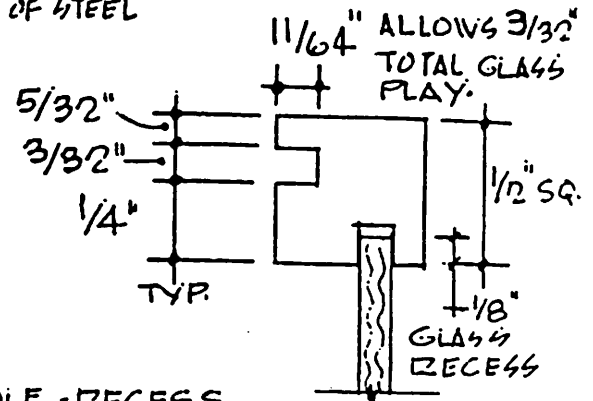
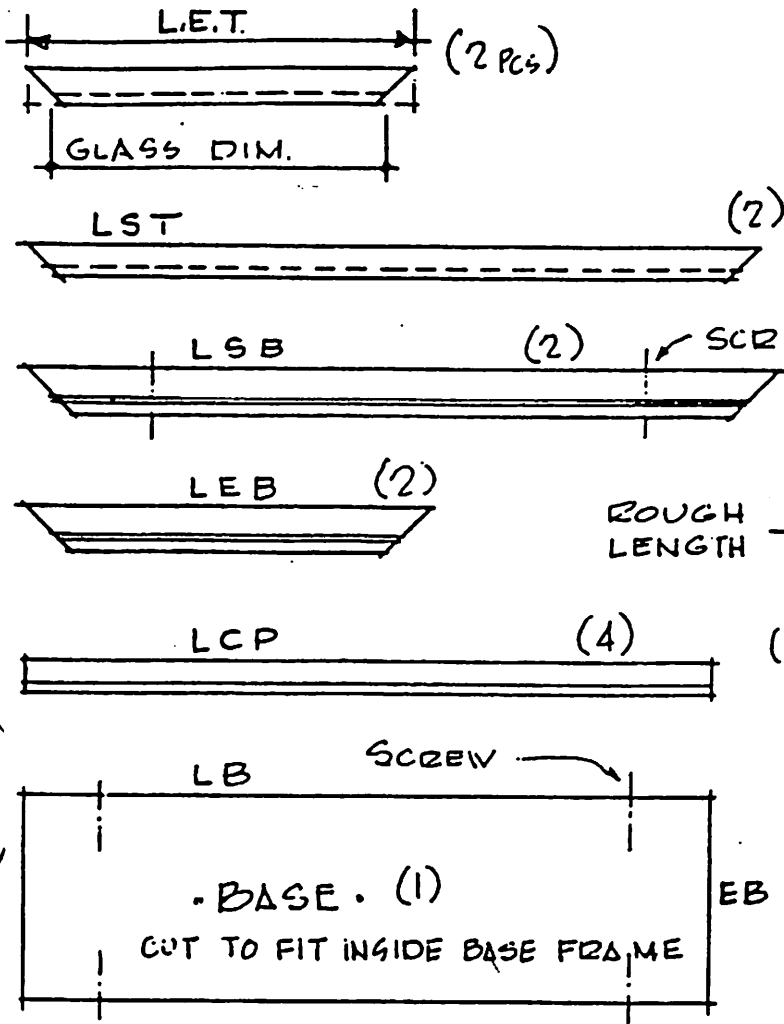


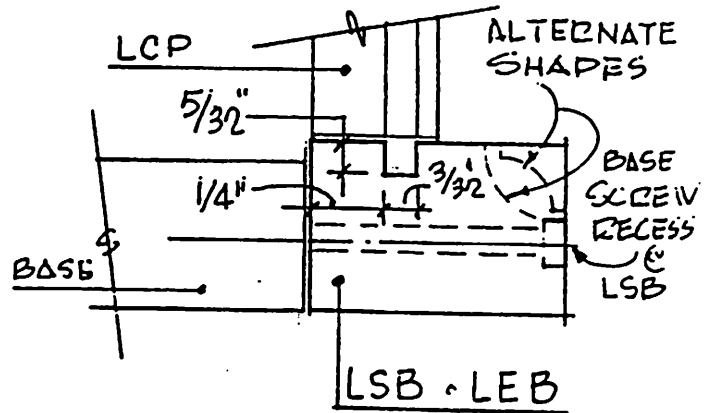
STANDARD SHIP CASE

ALL YOU NEED IS A TABLE SAW & NEEDLES OF STEEL



LET · LST · LCP

- ROUGH LENGTH (NET)
- LET · (LENGTH-END-TOP) GLASS + 1"
 - LST · (" SIDE-TOP) GLASS + 1"
 - LSB · (" SIDE-BASE) GLASS + 2"
 - LEB · (" END-BASE) GLASS + 2"
 - LCP · (" CORNER POINT) GLASS - 1/4"



NOTES:

- VARIATIONS ARE MADE FOR AVAILABLE WOOD SIZES & DETAILS DELIVERED. GO SLOW, MEASURE TWICE & RE-CHECK. HAVE GLASS CUT SQUARE; SOME THICKNESS VARIATION MAY APPEAR. SET ALL GLASS IN GLUE & CLEAR SILACONE TO ASSIST IN HOLDING IT ALL TOGETHER. MAKE TOP FIRST & USE AS FORM (PLACED UNGLUED) WHEN GLUING SIDES & POINTS TO BASE FRAME, AFTER FITTING, CHECKING & RE-CHECKING. ASSEMBLE ON FLAT-HARD SURFACE (NOT ON CARPET). THEN GLUE TOP UNIT ON.
- S.S. (SINGLE STRENGTH) GLASS IS ABOUT $3/32"$ THICK
- D.S. (DOUBLE ") GLASS IS ABOUT $1/8"$ THICK
- USE A GOOD SQUARE & A GOOD SQ. PICTURE/FRAME GLUE-LOCK THING
- YOU MAY USE SMALL DOWELS ($1/8"$) TO SECURE CORNERS - BUT DON'T DRILL INTO THE GLASS - BUILD ON COOL DAY, IT GETS VERY SENSITIVE WORKING W/ GLASS. (YOU SWEAT A LOT)