

Fig. 1. Auxiliary Sliding Fence Assembly For Use With 4" Dremel Table Saw.

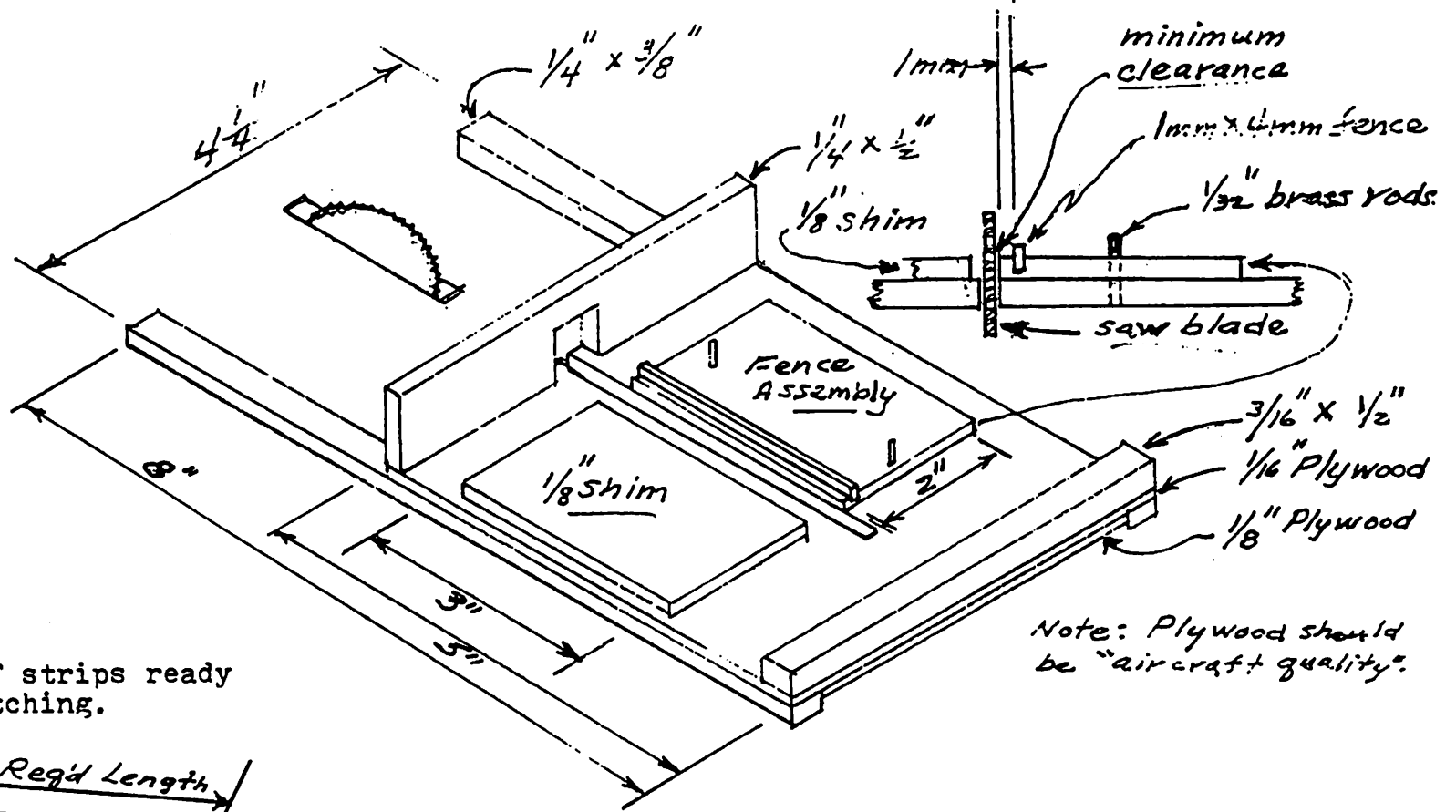


Fig. 2 Pack of strips ready for notching.

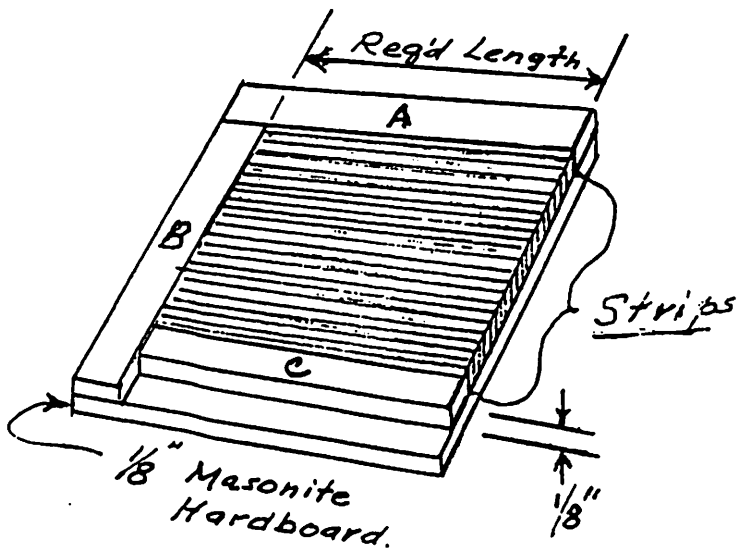
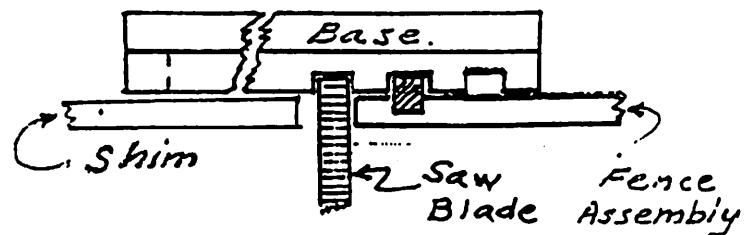


Fig. 3. Inverted pack of strips being notched. (Enlarged).



TOM PALON
June, '84

SLIDING FENCE ASSEMBLY

555