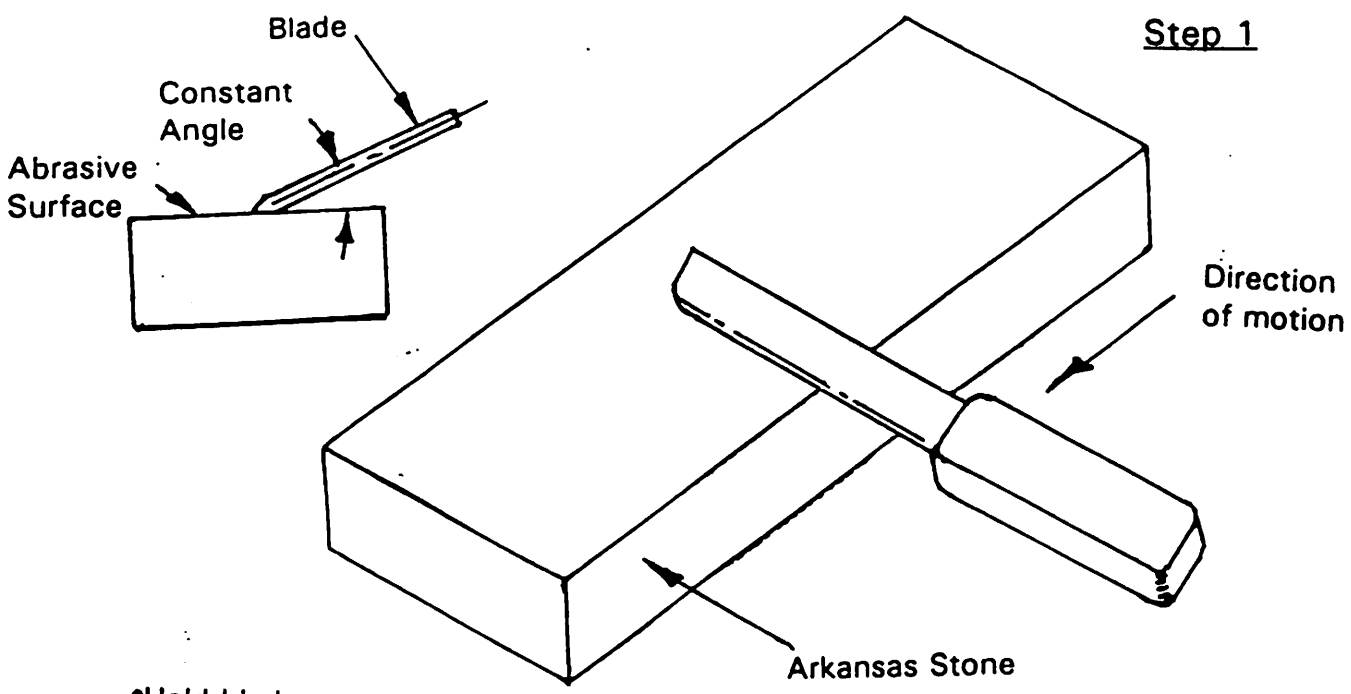
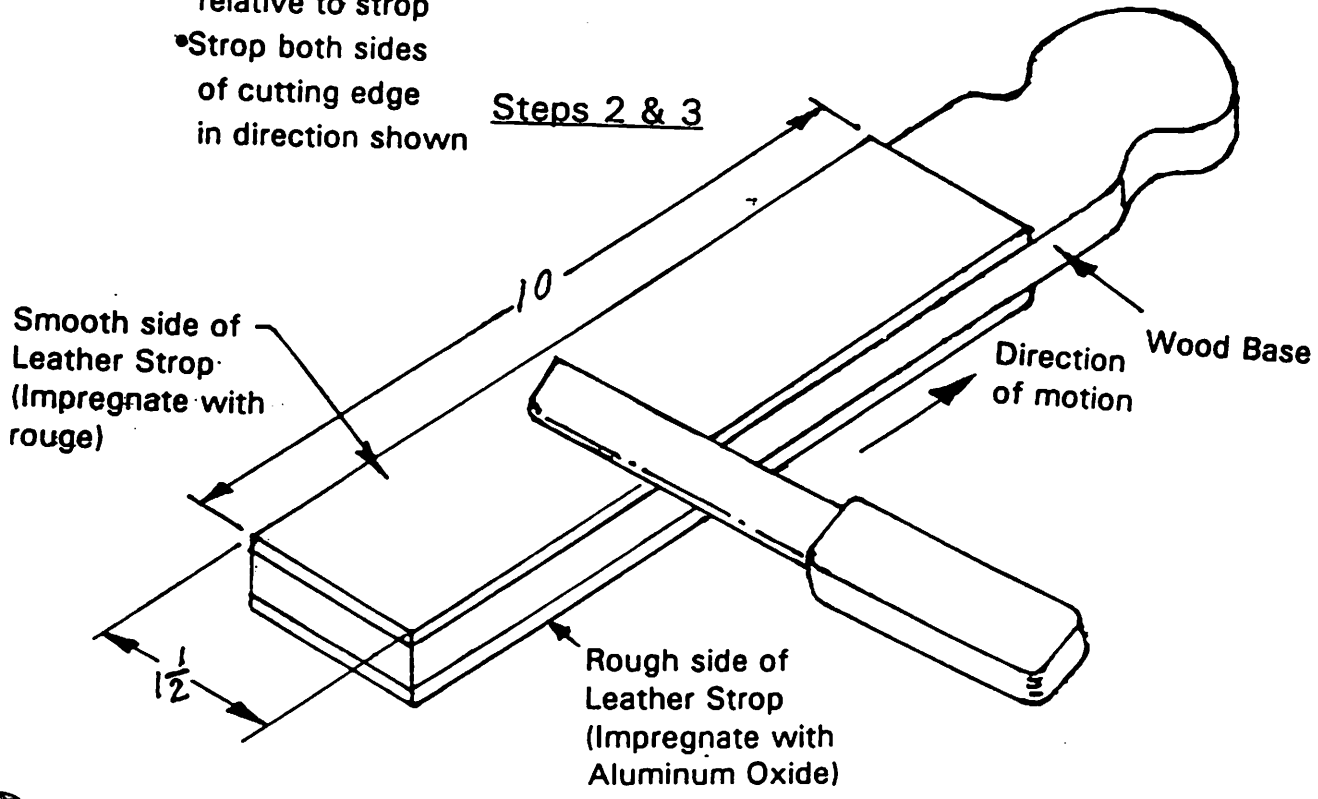


# SHARPENING METHOD



- Hold blade at constant angle relative to strop
- Strop both sides of cutting edge in direction shown

## Steps 2 & 3



Basic Sharpening Method