



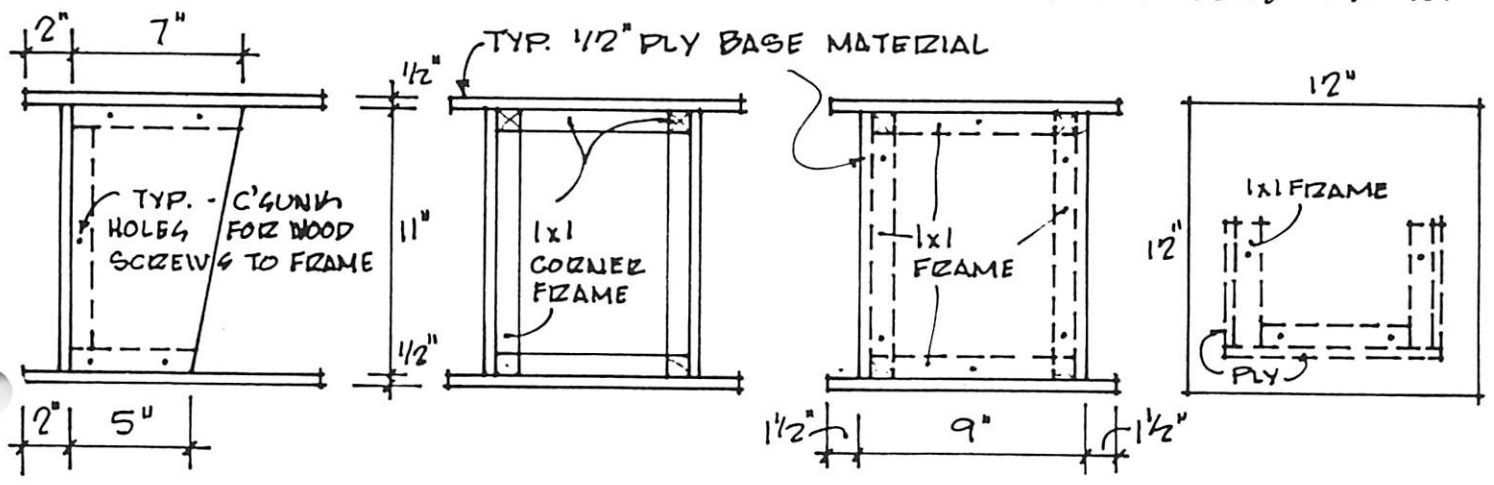
SANDER ROUTER Pearls FROM THE CHEST

Some tips from members of the crew

SANDER • ROUTER • SABER-SAW BASE by

• ART GRAICHEN:

(CAN BE MADE ON A PICNIC TABLE @ YOUR FAVORITE TRAILER PARK) UNQUOTE!

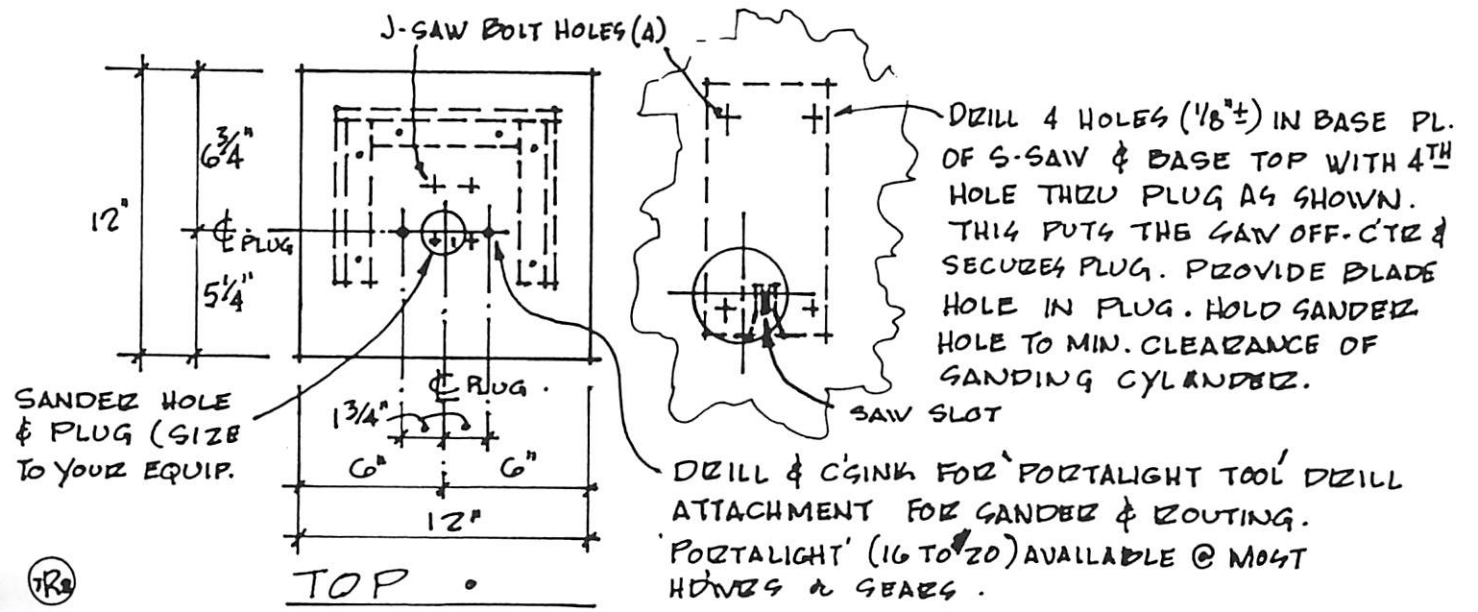


SIDE •
7" x 11" x 5"

FRONT •

BACK •
9" x 11"

BOTTOM •
12" x 12"



TR

(Sketch by Dick Ross)