



# Pearls FROM THE CHEST

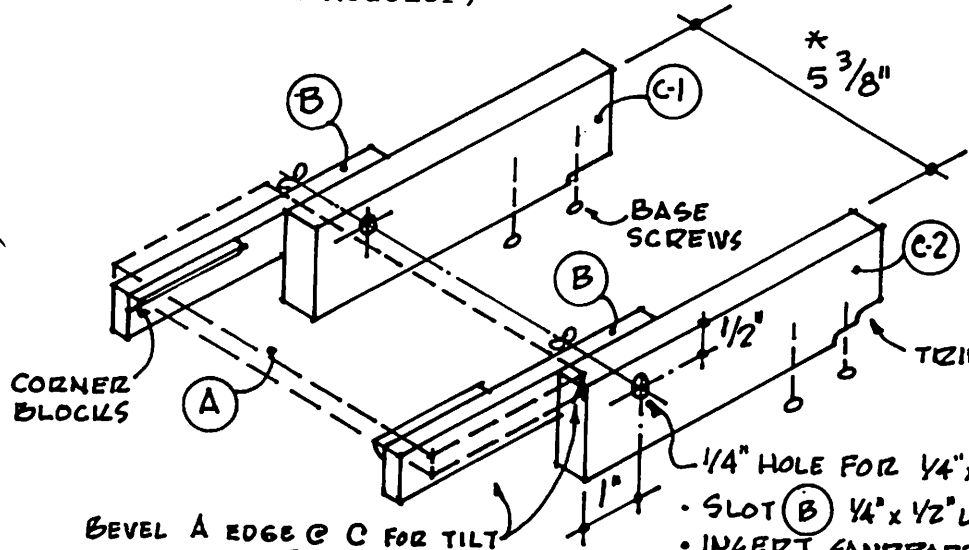
Some tips from members of the crew

From Dick Roos.

## DREMEL JIG-SAW SANDING TABLE :

AS PUBLISHED IN 'RCM' RECENTLY, AS A WRITE-IN HANDY HINT.

(Radio Control Modeler)

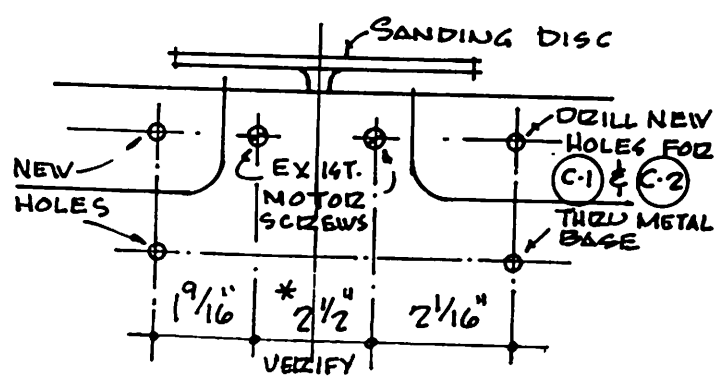


- (A) 1/4" x 2 5/8" x 6" MAGONITE (APOXY A - B & BLOCKS)
- (B) (2) 1/4" x 1" x 4 3/4" MAGONITE
- (C) (2) 3/4" x 1 5/8" x 5" - NOTE DIFF. IN BOTTOM NOTCHES TO FIT ON TOP OF 'SAW BASE'

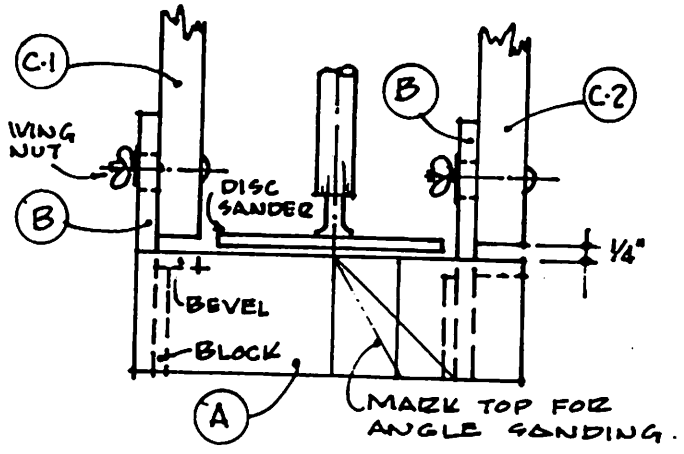
BEVEL A EDGE @ C FOR TILT CLEARANCE

- 1/4" HOLE FOR 1/4" x 1/2" C. BOLT THRU (B) & (C).
- SLOT (B) 1/4" x 1/2" LONG FOR ADJUSTMENT.
- INSERT SANDPAPER WASHERS BTWN (B) & (C) FOR TENSION.
- NOTE WING NUTS TO LEFT SIDES FOR TABLE REMOVAL.

### ASSEMBLY VIEW.



### BOTTOM VIEW OF J-SAW BASE.



### TOP VIEW OF SANDING TABLE.