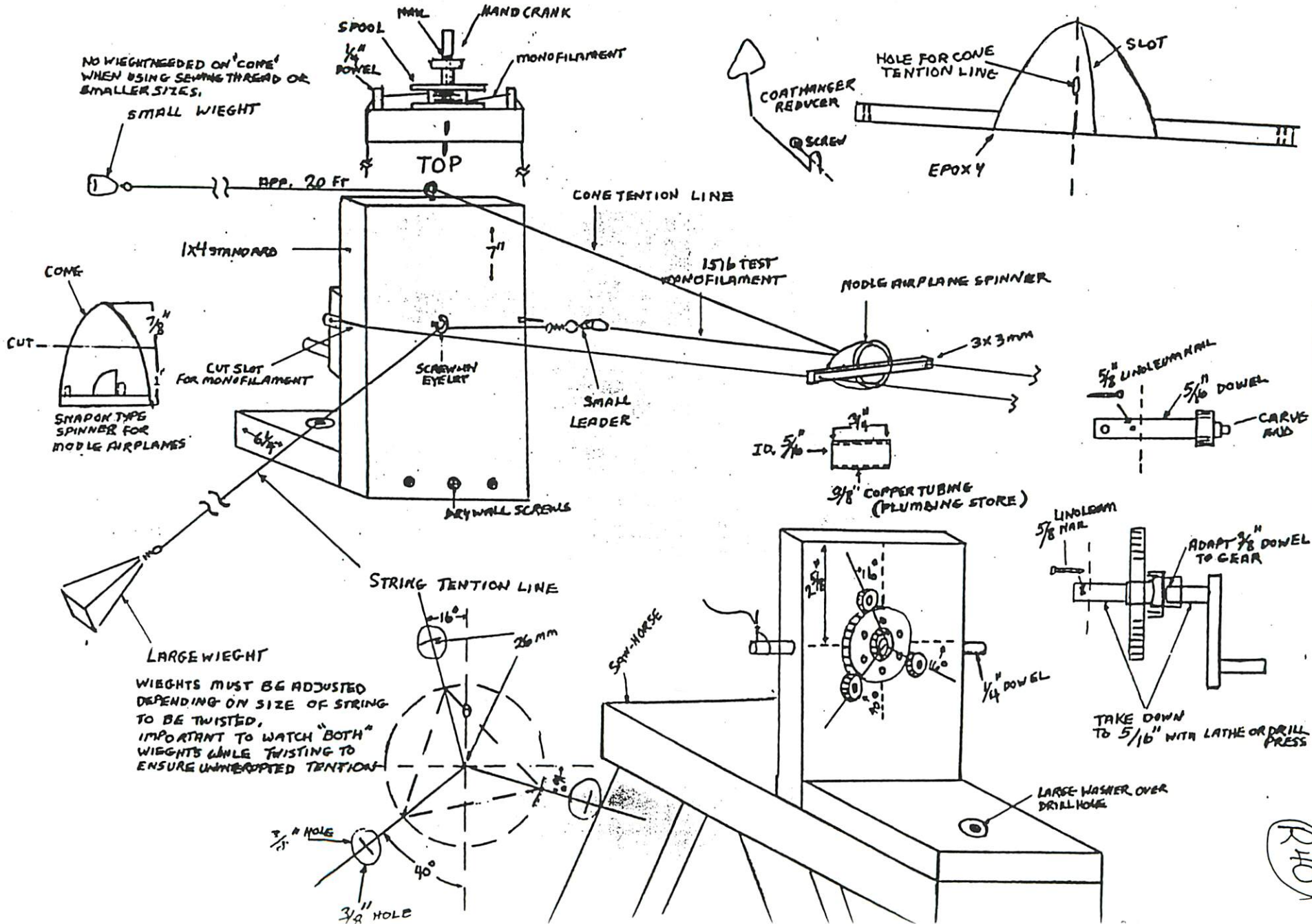


GEA. - ARE REFERRED TO AS THE DRIVE AND IDLER GEARS TO A MODEL R/C CAR. (HOBBY SHOP)

SL AT 15' WILL MAKE APP. 10' OF STRING ROPE MAKING MACHINE



ROPE MAKING MACHINE ASSEMBLY