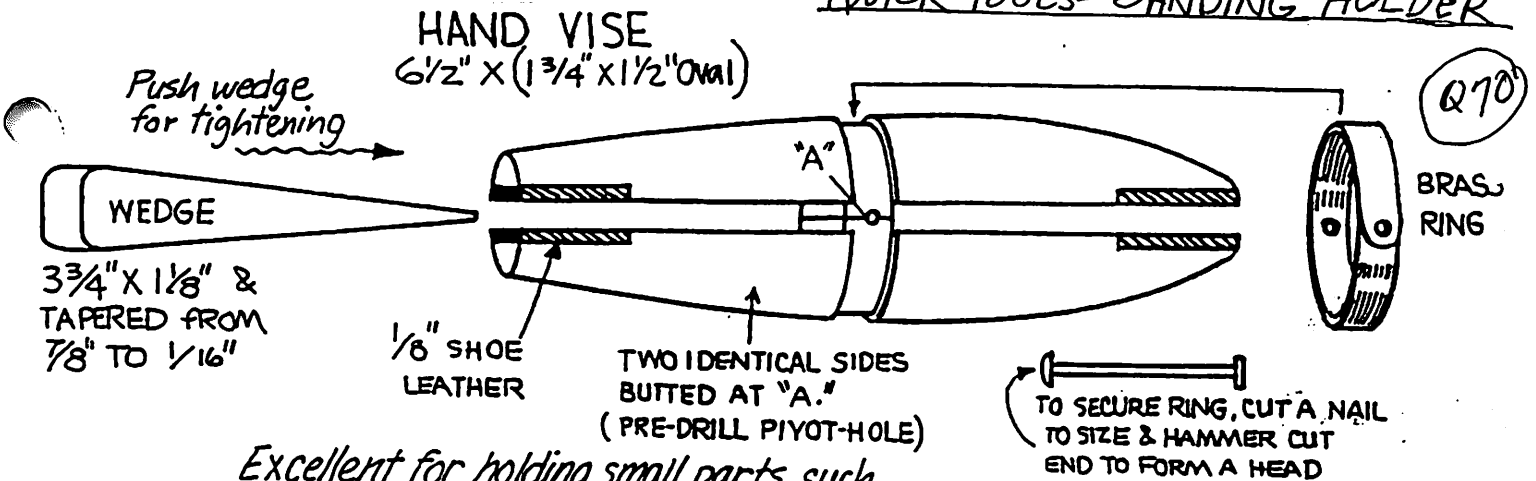


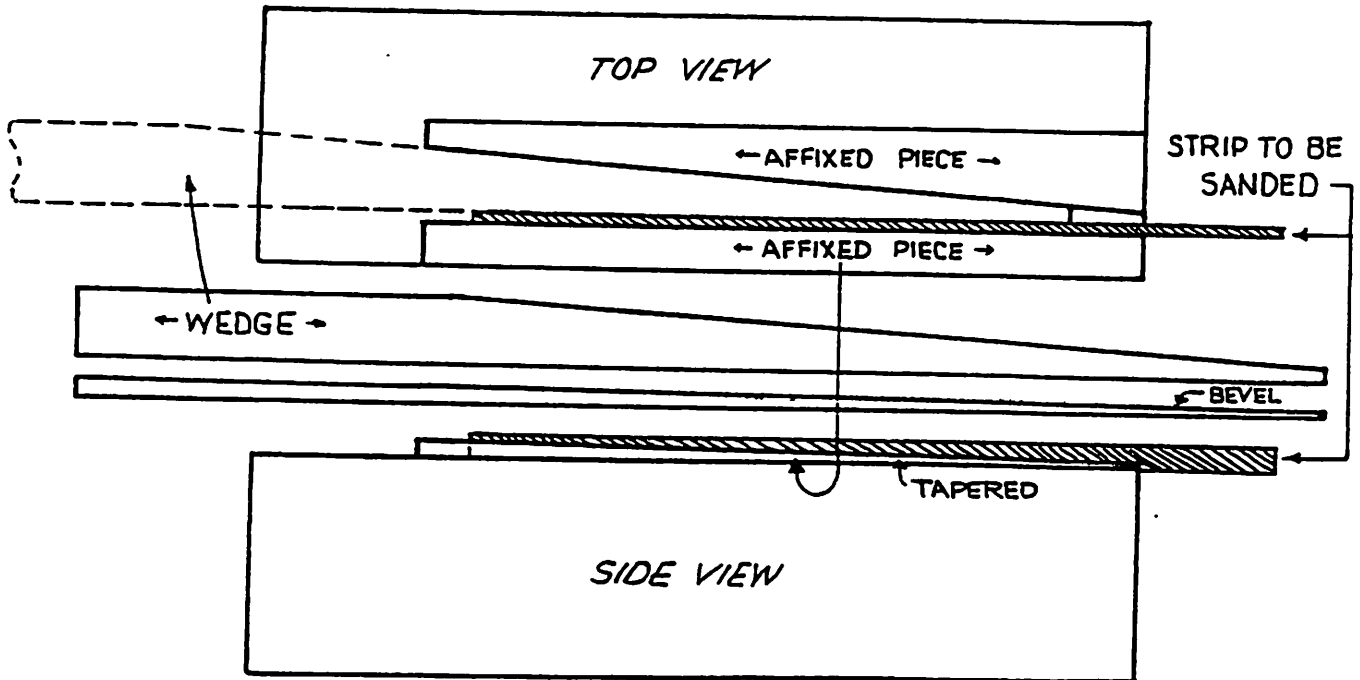
QUICK TOOLS- SANDING HOLDER



Excellent for holding small parts such as treenail strips that you must pull through a draw plate (One of Bob Graham's, of course)

Dimensions are optional. Design is intended to fit palm of hand.

SANDING HOLDER



For holding those small parts for sanding - such as hull planks that you want to taper to the stern or stem posts.

JHM-92

- Both tools (above) taken from the work bench of Paul Greenlee, SMA Member