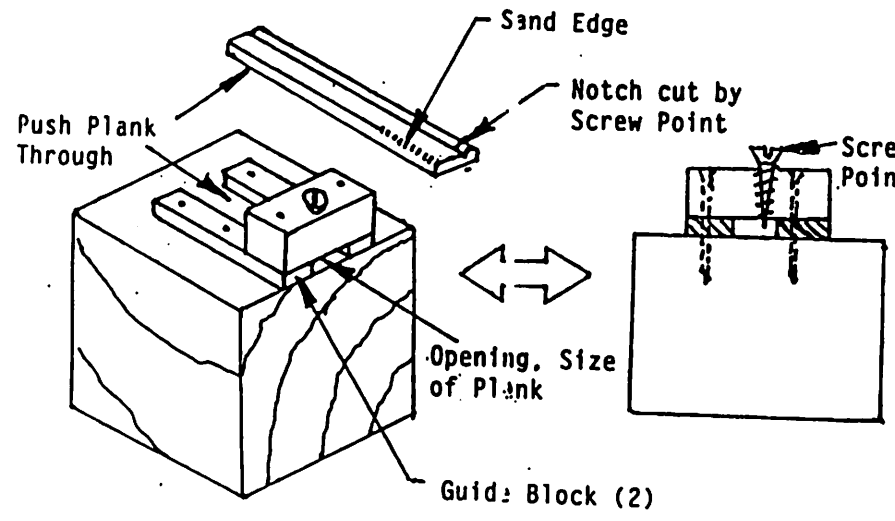
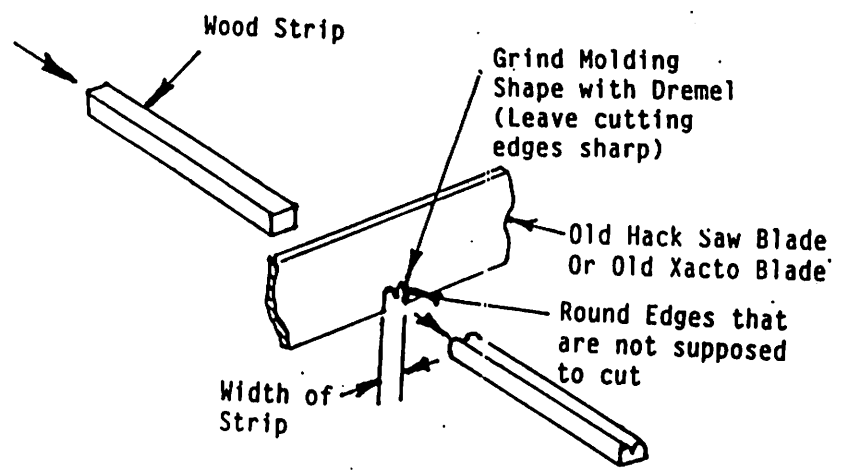


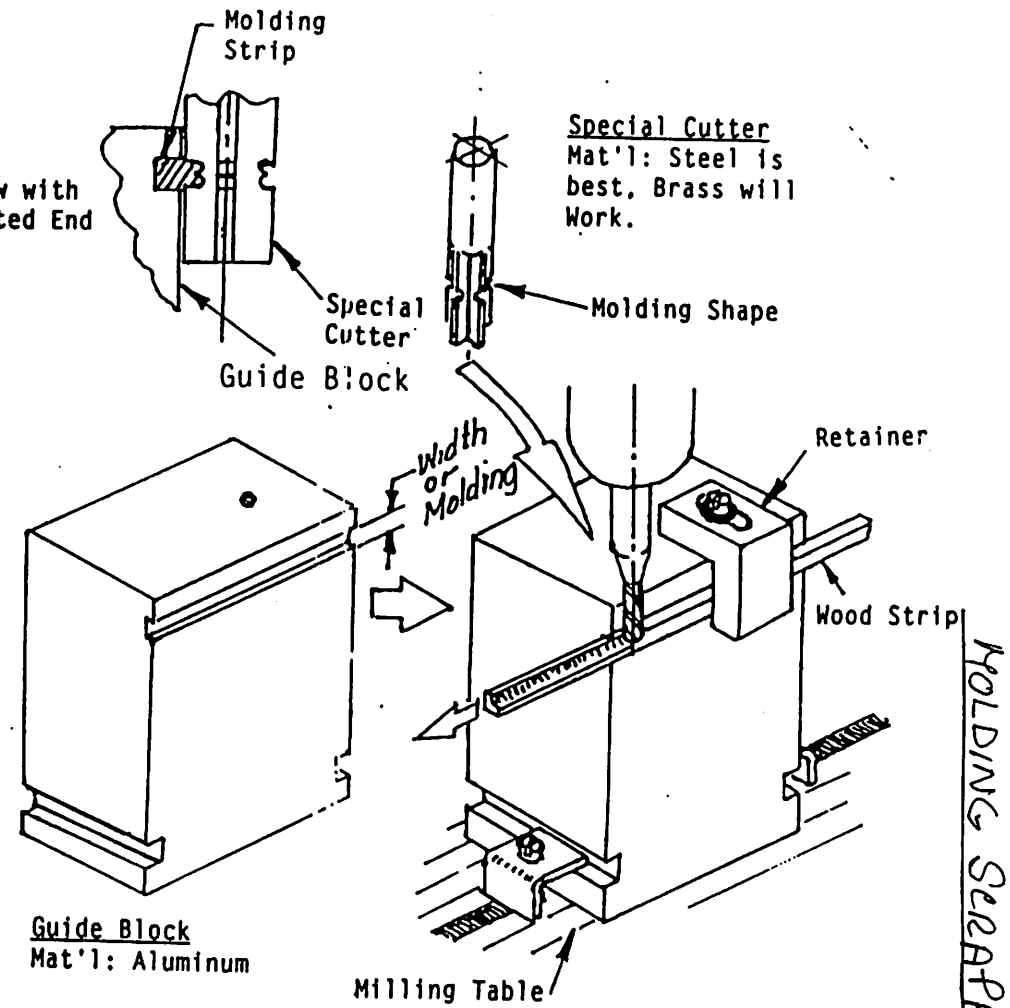
# QUICK TOOLS - MOLDING SCRAPER



Draw Block for Beading Planks



Molding Scraper



Make a Molding on a Mill

- Procedure:
1. Clamp guide to table
  2. Position cutter:
    - End Mill or
    - Special Cutter
  3. Push/Pull wood strip past cutter

Take Proper Safety Precautions

MOLDING SCRAPER

Q55