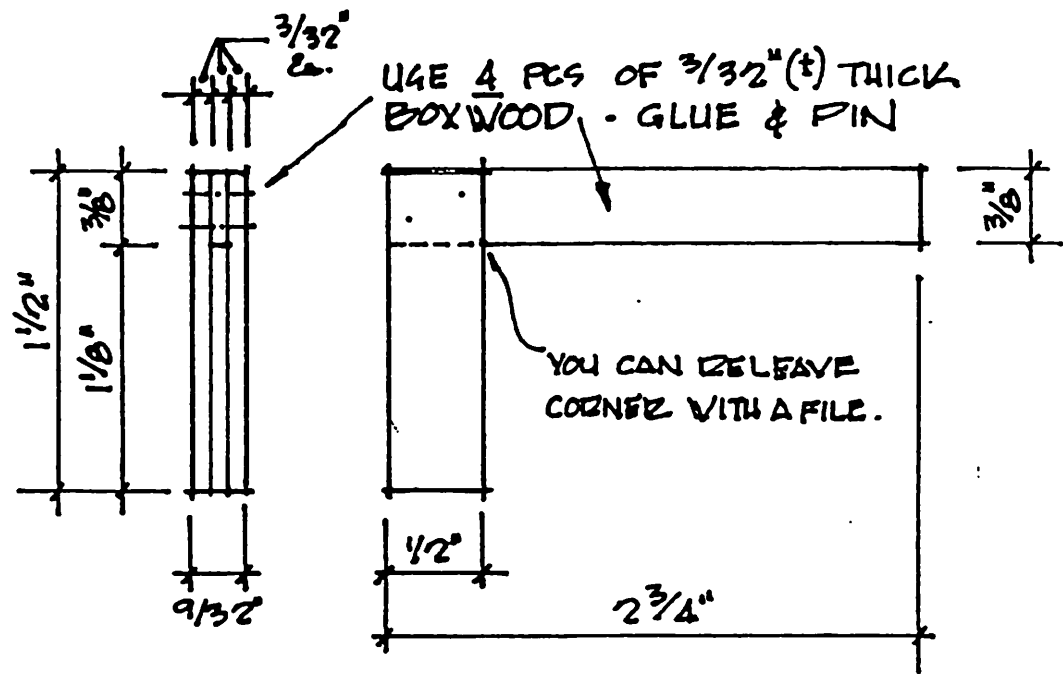


QUICK TOOLS -
ALUMINUM SQUARE

TYPE A. WOOD & ALUMINUM SQUARE



TYPE B. BOXWOOD SQUARE

ANOTHER ECONOMY (BUT USEFULL) ROOS-TOOL

TWO VARIATIONS OF A SMALL 'L' SQUARE FOR SMALL SHIPS. NOTE. IT IS OF THE UTMOST IMPORTANCE THAT EACH LEG/ARM BE PARALLEL WITH ITSELF BEFORE ASSEMBLY. USE A GOOD SQUARE TO GET 'L' WHEN GLUING. VARIOUS SIZES ARE HANDY .. DRILL FOR PINS WHEN GLUE IS DRY .. APPROX. 45 MIN ..