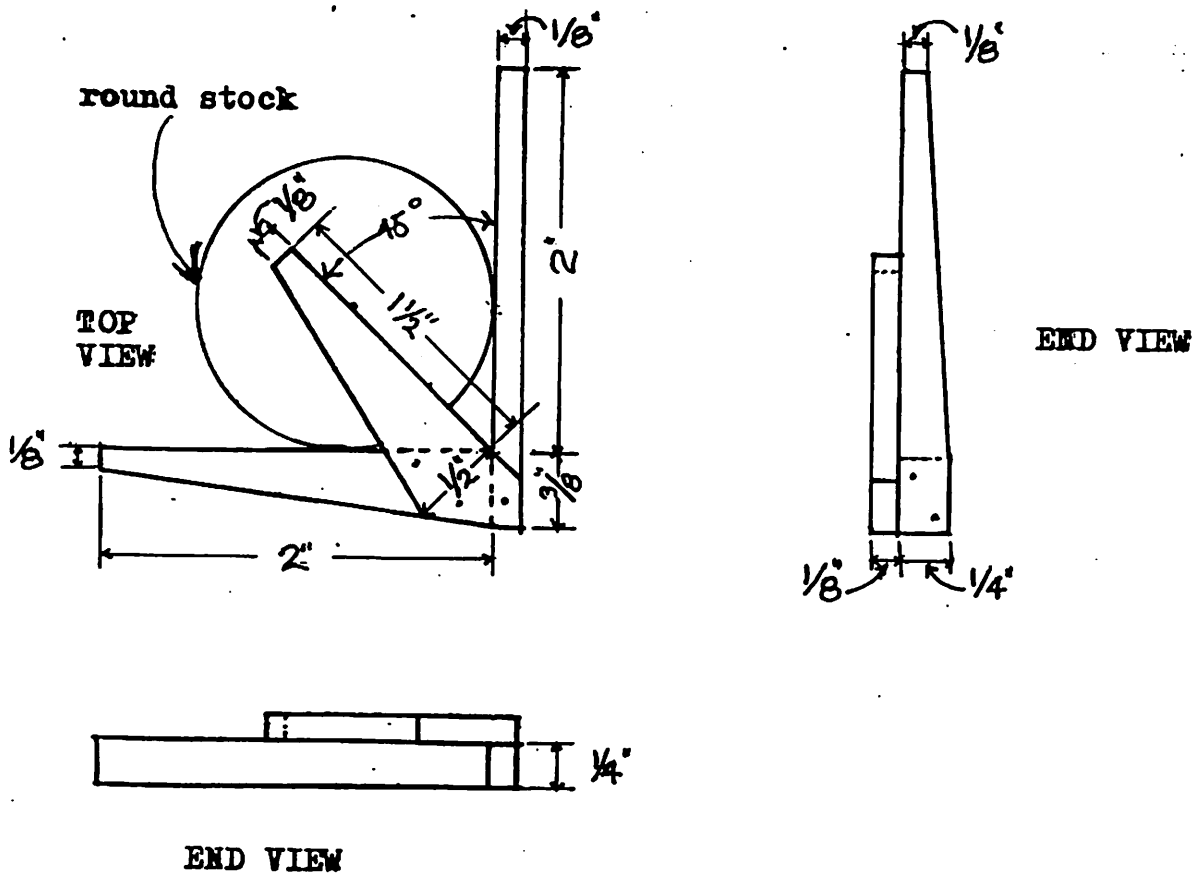


QUICK TOOLS- CENTER LOCATER

Q15

MAKE A CENTER LOCATER

Find centers on round stock, dowels, etc.. Useful when doing wood turning, and it is easy to make.



The material used should be hardwood such as birch or maple. After gluing together I used $1/4$ " brads to make secure. Be sure that the L piece is absolutely square, and the diagonal piece is exactly at 45 deg.. To center dowel end draw two or more diameters - where they intersect is the center.

H.W. Bridenbecker 1/82