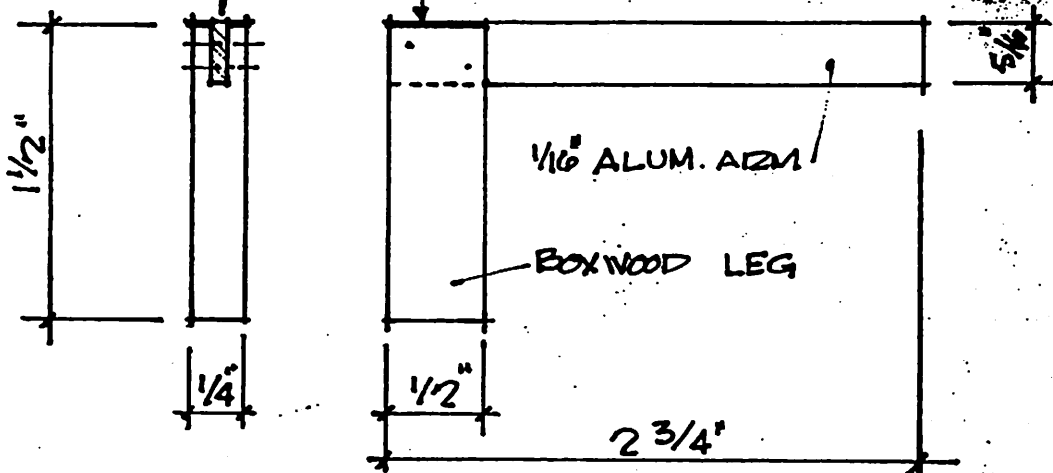


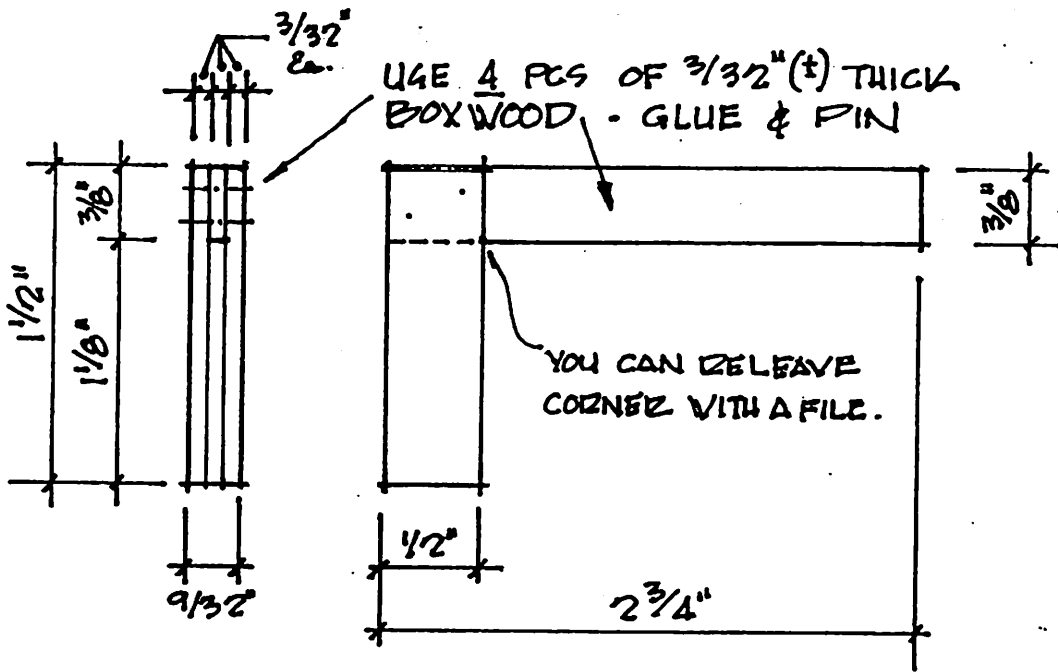
QUICK TOOLS

Q10^L

NOTCH FOR ALUMINUM ARM,
 APOXY & DRILL (SLOWLY) FOR PINS. SQUARE - WOOD
 SET ALUM. $\frac{1}{16}$ " ABOVE EDGE OF WOOD AND ALUMINIUM



TYPE A WOOD & ALUMINIUM SQUARE



TYPE B BOXWOOD SQUARE

ANOTHER ECONOMY (BUT USEFULL) ROOS-TOOL

TWO VARIATIONS OF A SMALL 'L' SQUARE FOR SMALL SHIPS. NOTE - IT IS OF THE UTMOST IMPORTANCE THAT EACH LEG/ARM BE PARALLEL WITH ITSELF BEFORE ASSEMBLY. USE A GOOD SQUARE TO GET 'L' WHEN GLUING. VARIOUS SIZES ARE HANDY .. DRILL FOR PINS WHEN GLUE IS DRY .. APPROX. 45 MIN ..