

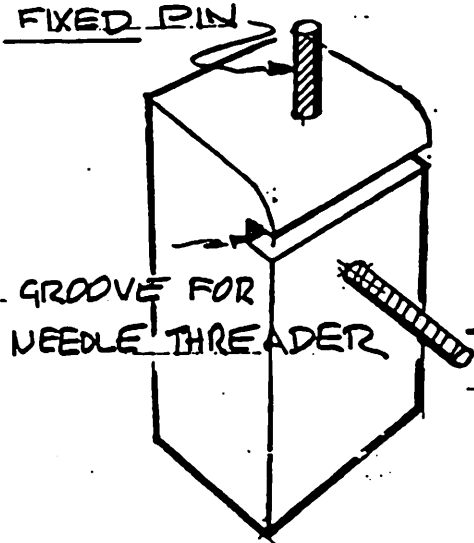
# PIN RAILS

(25)

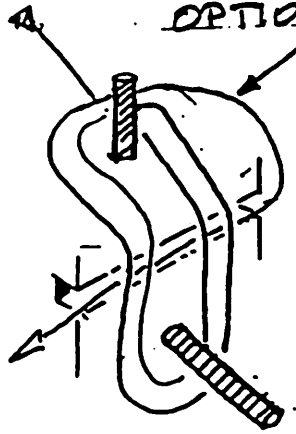
SIZE OPTIONAL  
BASED UPON  
SCALE USED

NUMBER OF LOOPS  
OPTIONAL

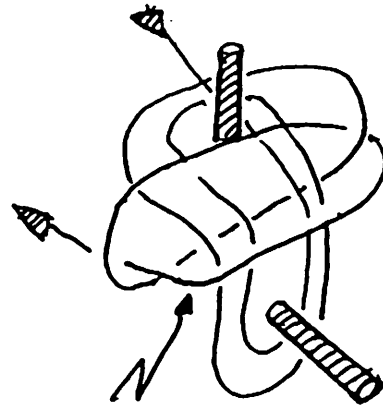
FIXED PIN



GROOVE FOR  
NEEDLE THREADER

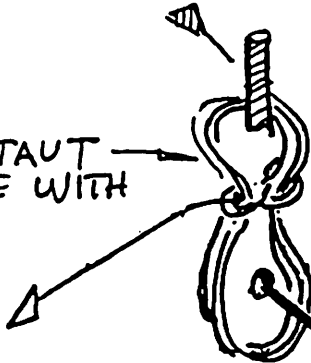


REMOVABLE  
PIN



HALF HITCH ON  
FINAL LOOP

DRAW LINE TAUT  
AND SECURE WITH  
ZAP GLUE



PIN RAIL LINE  
TIE DOWN TOOL

ED AVERKIEFF '97

FINALLY REMOVE PIN  
FROM TOOL BODY &  
LIFT LINE-LOOP FROM  
TOOL!

INSTALL OVER BELAYING  
PIN HEAD AFTER RIGGING  
IS SECURED - GLUE IN PLACE!

NOTE: USE GLUE SPARINGLY

## Spotlight on Kits

The July Show and Tell meeting will be a Spotlight on Kits. If you are a new modeler, you are probably building a kit. If you are more experienced, you probably still own one or more kits you built in the early days. Either way, bring a kit to the July meeting.

## Correction

In the last newsletter, it was reported that Cornelis Van Dorp would be going to the Worlds Fair in Lisbon, but this is not necessarily the case. Correspondence concerning the interest in having the model at the Fair is going back and forth, but no details have been agreed to. Any confusion caused by the previous report is regretted.

- Editor