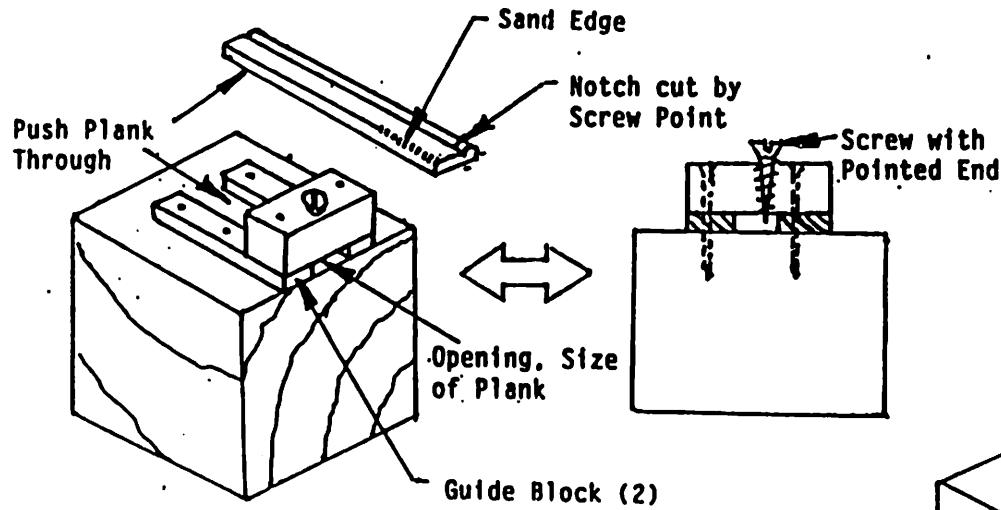
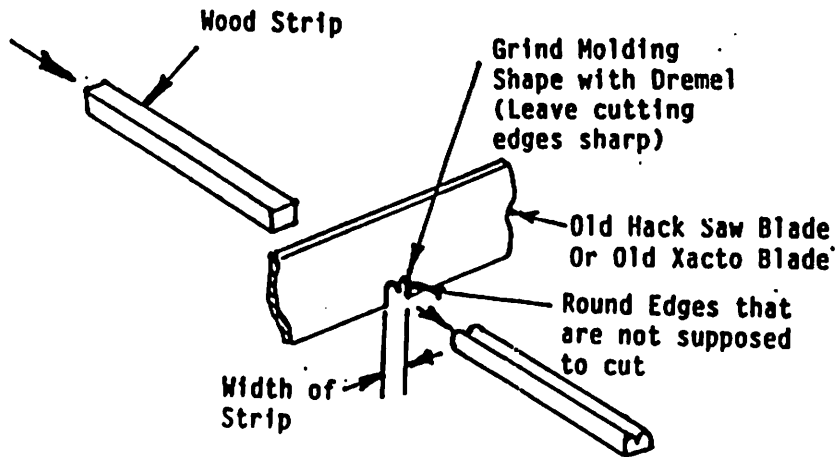


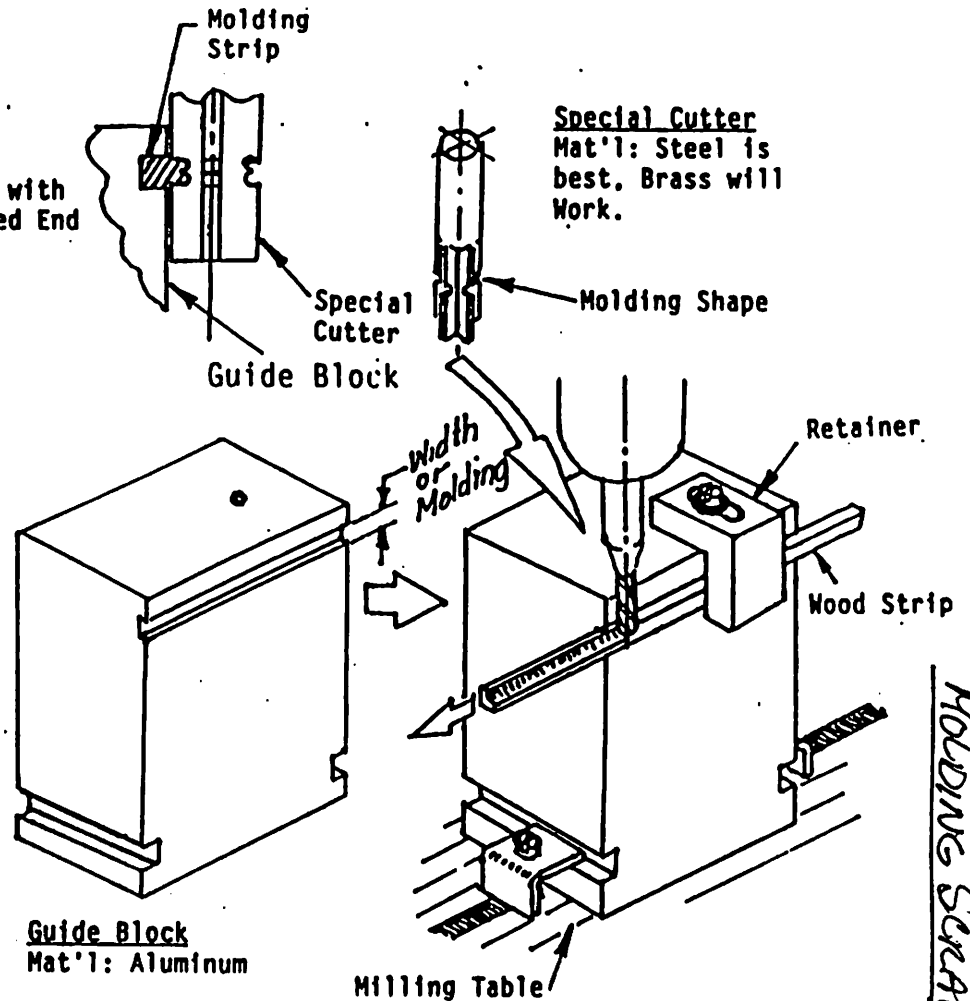
# MOLDING SCRAPER



Draw Block for Beading Planks



Molding Scraper



Guide Block  
Mat'l: Aluminum

Make a Molding on a Mill

- Procedure:
1. Clamp guide to table
  2. Position cutter:
    - End Mill or
    - Special Cutter
  3. Push/Pull wood strip past cutter

**Take Proper  
Safety Precautions**

MOLDING SCRAPER

(M25)