



Pearls FROM THE CHEST

Some tips from members of the crew

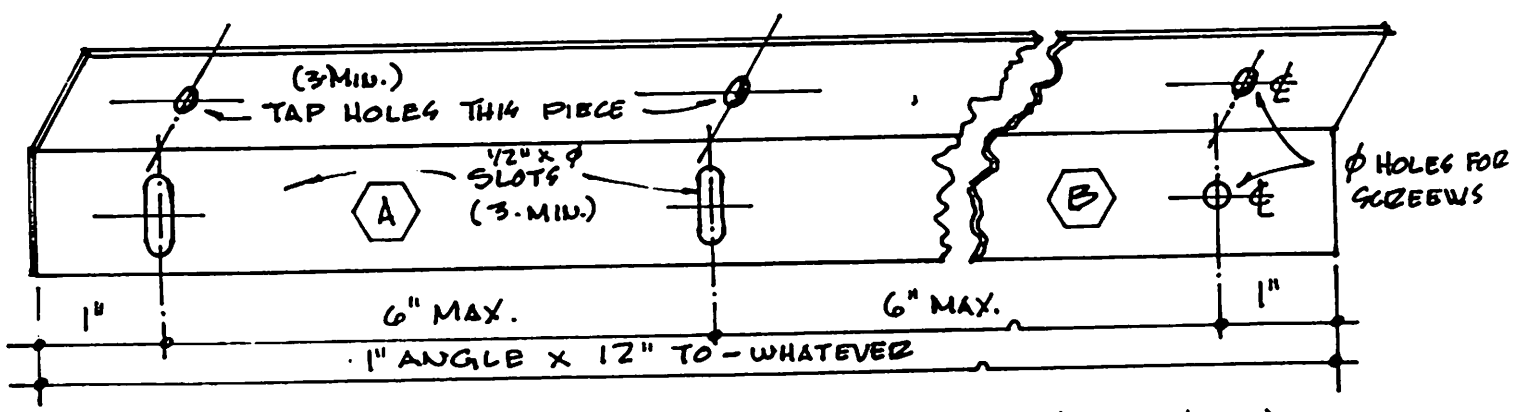
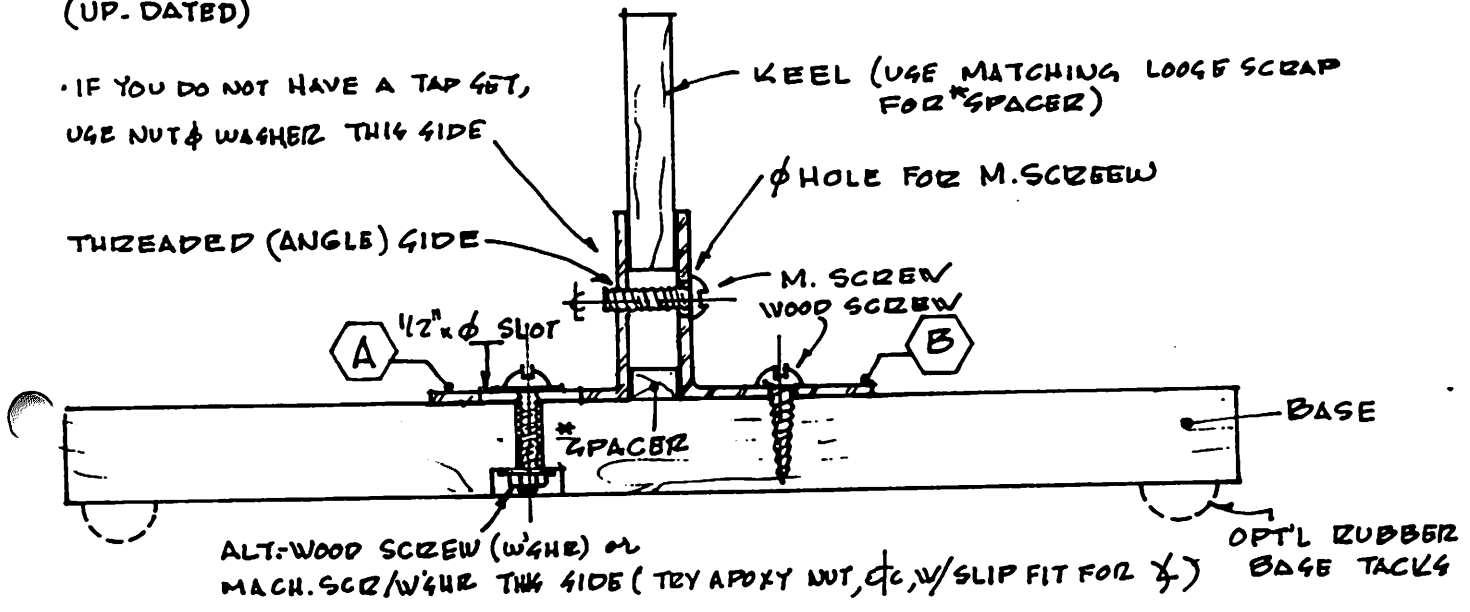
From Cap'n Roos----

'KEEL' BASE & SELF-ALIGNER

(UP. DATED)

• IF YOU DO NOT HAVE A TAP SET, USE NUT & WASHER THIS SIDE

THREADED (ANGLE) SIDE



1. STD ALUM. ANGLE - @ HOME & BLDGS SUPPLY (6' & 8' LGTHS)
2. STD B-32 MACH. SCREWS @ ?
3. USE A 'FLAT' BASE FROM GOOD PLY, PINE @ COMM'L PARTICAL.
4. IF BOLTS ARE EXPOSED BELOW BASE, USE RUBBER TACKS @ WOOD SPACERS (3 MIN.)
5. DRILL PCS A & B TOGETHER TO ALIGN HOLES.

© R.O. ROOS, SMA