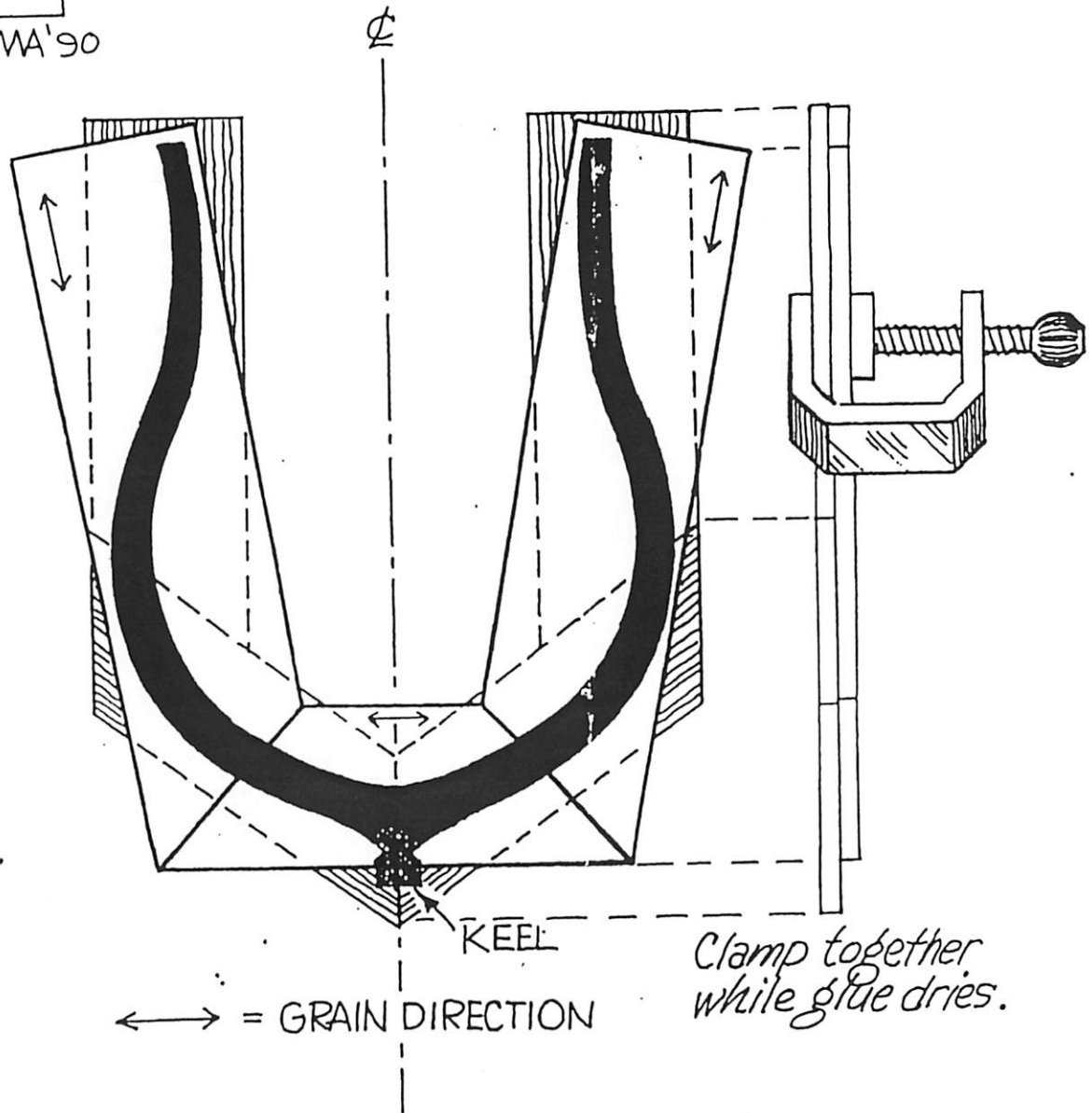


Handy Hints

FRAMES

HAHN/WICKS/JHM-SMA'90

To make a very strong Frame, make it in two thicknesses, laminated together. By crossing the grains & alternating the locations of the joints the frame will be unusually strong and not likely to break. It would seem that there is a lot of waste material but the loss is well worth it. Your Frames will be level and not warp.



FRAMING

(E 20)