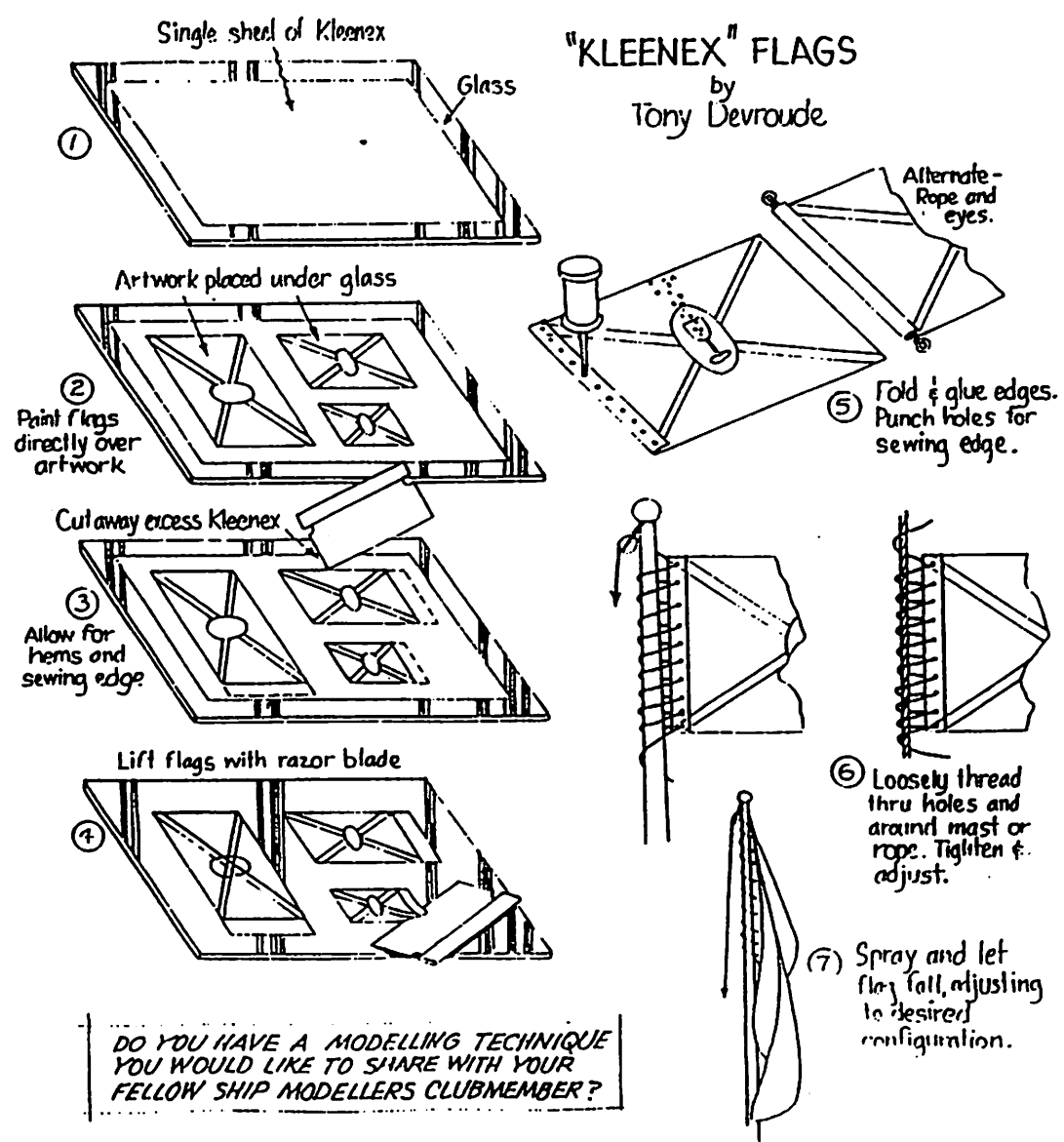


FLAGS - KLEENEX

"KLEENEX" FLAGS by Tony Devroude



DO YOU HAVE A MODELLING TECHNIQUE YOU WOULD LIKE TO SHARE WITH YOUR FELLOW SHIP MODELLERS CLUBMEMBER?