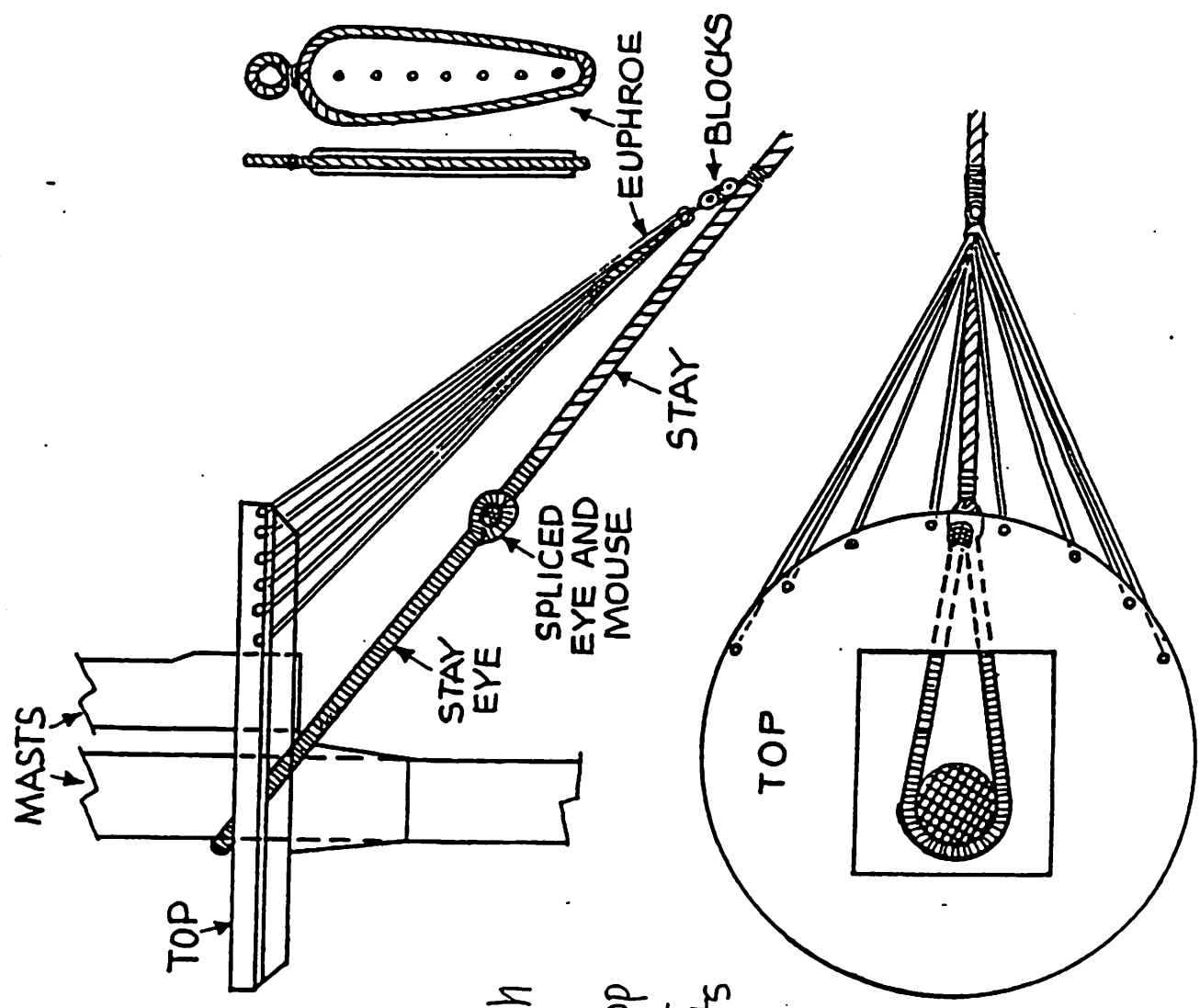


CROWSFEET



"CROWSFEET"

The model of "Bounty" that "Doc" Henry Bikhazi brought to the Sept.-92 Show-n-Tell displayed "Crowsfeet," which are a number of ropes laced from the fore edge of the top to a euphroe, which is secured to the stay. It prevents the topsail from blowing underneath the top.

Here's another look in case you missed viewing Henry's workmanship.

JMA (S.M.A. '92)