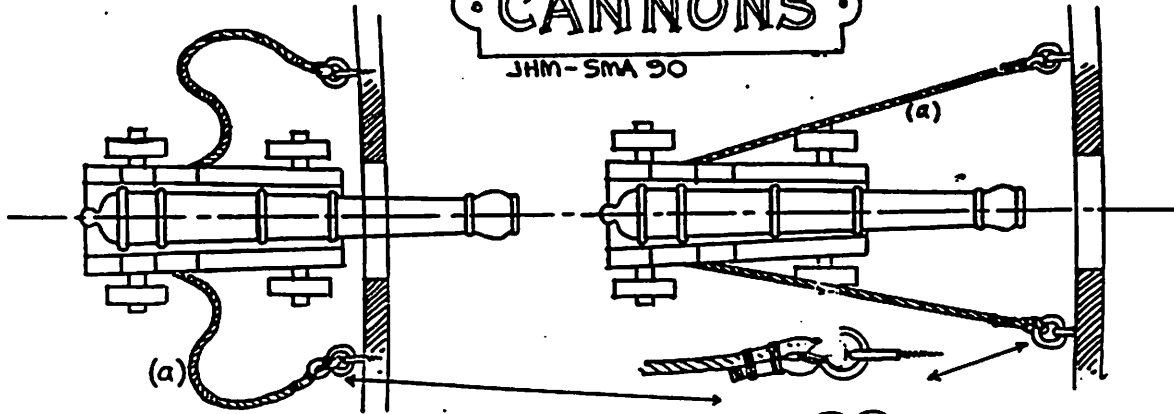


Handy Hints*

CANNONS

JHM-SMA 90

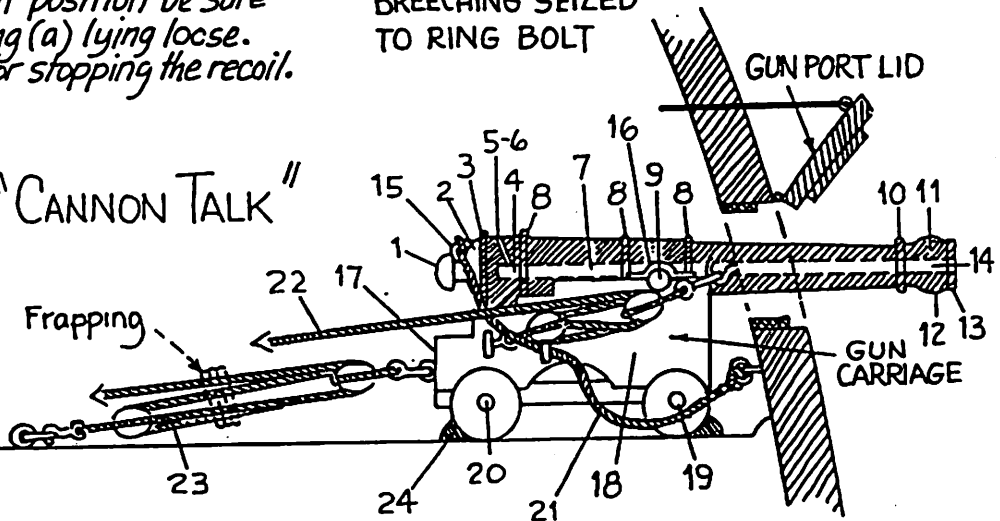


If your model displays gun carriages w/guns in "run out" position be sure you show breeching (a) lying loose. These lines are for stopping the recoil.

BREECHING SEIZED TO RING BOLT

some "CANNON TALK"

Tackle for carronades to be shown later.



- | | | |
|-----------------------|---------------------|------------------------------|
| 1. Pommelion/Cascabel | 9. Trunnion | 17. Transom |
| 2. Breech moulding | 10. Muzzle astragal | 18. Side cheeks |
| 3. Base ring | 11. Throat | 19. Front axle tree w/trucks |
| 4. Chamber | 12. Muzzle swelling | 20. Rear axle tree w/trucks |
| 5. Flash pan | 13. Muzzle moulding | 21. Breeching |
| 6. Vent | 14. Bore | 22. Gun tackle |
| 7. Bore | 15. Breeching ring | 23. Train tackle |
| 8. Reinforce ring | 16. Cap square | 24. Quoins |

* From "Historic Ship Models" by Wolfram zu Mondfeld (Sterling)