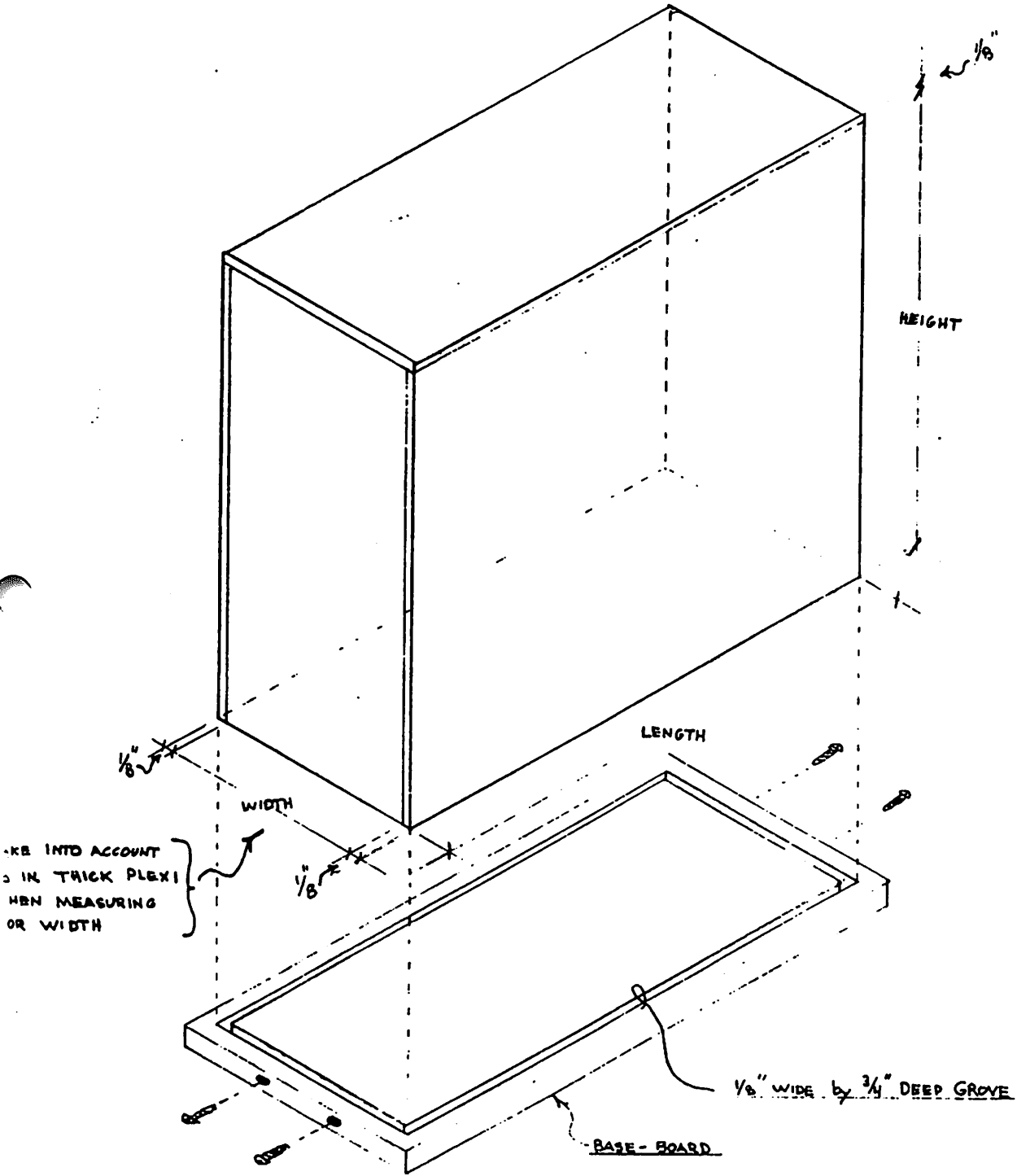


CASE FOR MODEL (C10)



CASE SKETCH

NO SCALE

10 NOV 76  
DD