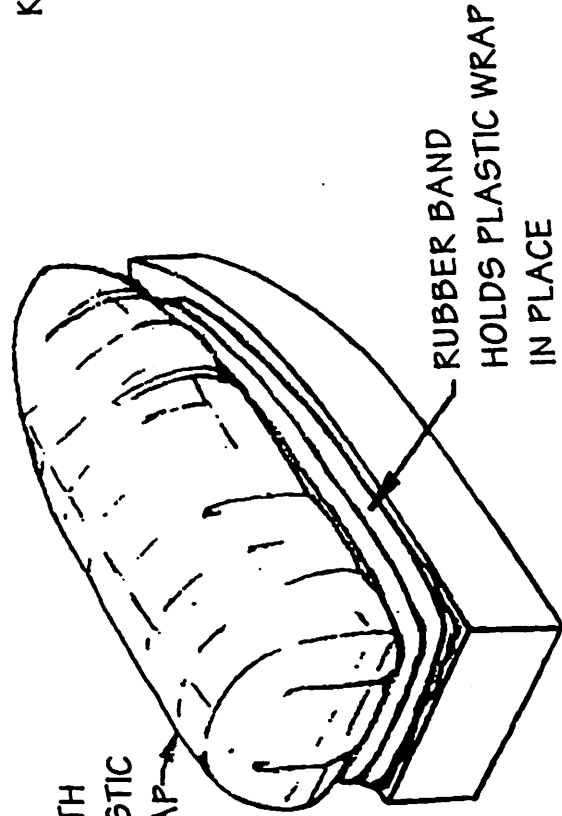
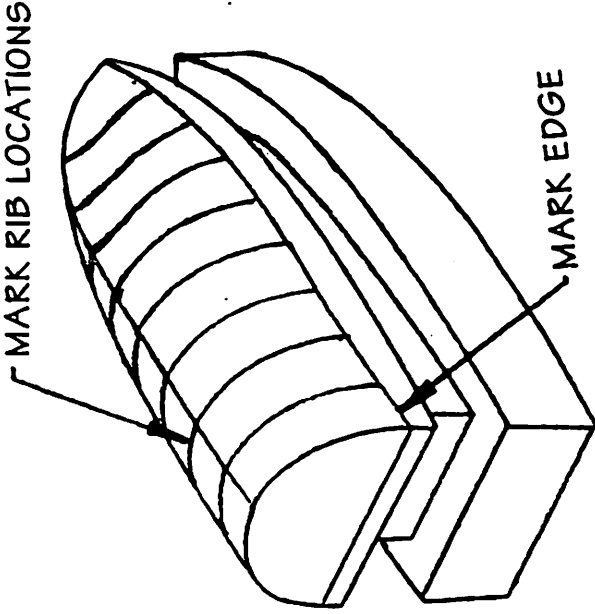


1 CARVE PLUG

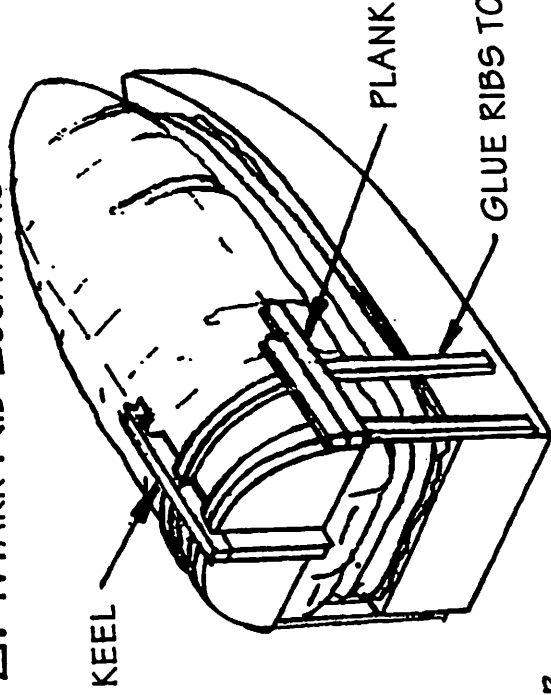
COVER WITH
.002 PLASTIC
FOOD WRAP



3. COVER PLUG WITH PLASTIC WRAP



2. MARK RIB LOCATIONS



4. BUILD HULL

BOE 7-99

B 36